

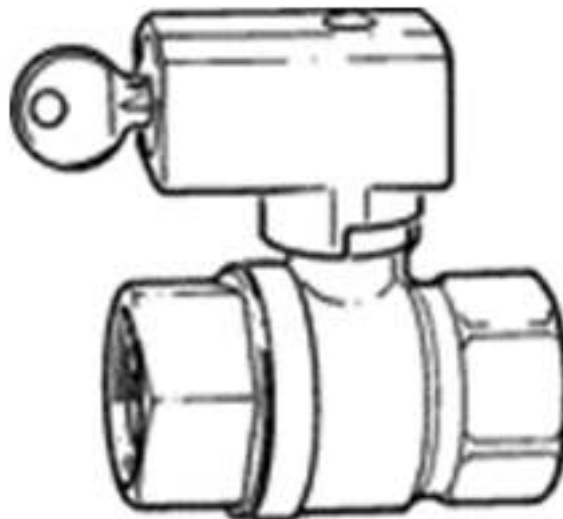
Wales & West Utilities Vulnerability & Carbon Monoxide Allowance (VCMA)

Project Eligibility Assessment (PEA)

Locking Cooker Valves

Tom Robinson – Social Obligations Specialist
Tom.Robinson@wwutilities.co.uk
07890 315438

31 August 2021



Eligibility criteria for company specific projects (other than condemned essential gas appliance repair and replacement)

In order to qualify as a VCMA Project, a project must:

- a) have a positive, or a forecasted positive, Social Return on Investment (SROI) including for the gas consumers funding the VCMA Project;
- b) either:
 - i. provide support to consumers in Vulnerable Situations and relate to energy safeguarding, or
 - ii. provide awareness of the dangers of CO, or
 - iii. reduce the risk of harm caused by CO;
- c) have defined outcomes and the associated actions to achieve these;
- d) go beyond activities that are funded through other price control mechanism(s) or required through licence obligations; and
- e) not be delivered through other external funding sources directly accessed by a GDN, including through other government (national, devolved or local) funding.¹

Eligibility criteria for company specific essential gas appliance servicing, repair, and replacement

In order to qualify as a VCMA Project, unsafe pipework and essential gas appliance² servicing, repair or replacement must meet the following criteria:

- a) a GDN has to isolate and condemn unsafe pipework or an an essential gas appliance following a supply interruption or as part of its emergency service role;
- b) the household cannot afford to service, repair or replace unsafe pipework or the essential gas appliance; and
- c) sufficient funding is not available from other sources (including national, devolved or local government funding) to fund the unsafe pipework or the essential gas appliance servicing, repair or replacement.

¹ If part, but not full, funding is available through an external funding source for an eligible project, VCMA funding can be used for the remaining amount.

² Essential gas appliances are gas fuelled heating systems (including gas boilers and gas fires), and gas cookers.

Information required for the registration of VCMA projects


Information required	Description
Project title	Locking Cooker Valves
Funding GDN(s)	Wales & West Utilities Ltd
Date of PEA submission	12/10/2021
VCMA Project contact name, email, and number	Tom Robinson – Social Obligations Expert Tom.Robinson@wwutilities.co.uk – 07890 315438
Total cost (£k)	£25k
Total VCMA funding required (£k)	£5k per annum for 5 years
Problem(s)	<p>Evidence shows that elderly and vulnerable residents are at a much higher risk of gas leaks and fires due to gas appliances being left on, especially those with illnesses such as Dementia. Some case studies show how fire and rescue services have been repeatedly called to properties where residents have left gas hobs on, or where residents have caused fires by inadvertently putting electric plastic kettles onto hobs or burnt their clothing.</p> <p>This problem can often result in residents' independence being taken away or gas appliances being replaced by safer but far more expensive options. This can be a further problem for carers and loved ones.</p> <p>This project looks to apply a practical and straightforward solution to this problem that comes free of charge to the household.</p>
Scope and Objectives	<p>This project is a continuation from a joint Gas Distribution Network (GDN) initiative in 2017, which has seen us fit 217 Locking Cooker Valves to date.</p> <p>The Locking Cooker Valve is installed to the outlet pipework leading to the gas cooker and can be opened and closed using a key which will be left with a trusted family member/ carer. This allows residents to maintain their independence and live in their property safely, still using gas for heating and hot water and their gas cooker when supervised.</p> <p>We have set aside £5000 per annum for the next five years to fund the installation of these</p>

Criteria

	<p>Locking Cooker Valves in Wales and southwest England.</p> <p>Residents who require this work will be identified through two routes:</p> <ul style="list-style-type: none"> - WWU engineers attending properties will recommend these customers for valve installation following emergency visits, connections, and replacement work. - Local Authorities/ Carers will identify the need for a valve to be installed and will contact WWU to request it on behalf of the residents. <p>We will liaise with Local Authorities/ Carers to arrange a site visit to determine if the Locking Cooker Valve can be installed. Following this the work will be scheduled so that the Local Authorities/ Carers can be present. The valve will be installed by a WWU engineer in a location agreed with the Local Authorities/ Carers, and the key left with them.</p>
<p>Why the Project is being funded through the VCMA</p>	<p>This service is beyond the end of our gas network and is not required under our operating licence or funded in our base allowances.</p> <p>WWU has a Vulnerable Customer Strategy that aims to safeguard all vulnerable customers by offering support and services, above and beyond our obligations, which are to maintain and provide a safe supply of gas to homes and businesses in our distribution area. These added value services are being funded through the VCMA in RIIO GD2.</p>
<p>Evidence of Stakeholder/ Customer Support</p>	<p>Since 2017 we have multiple case studies with local authorities and carers who showed interest in the idea of having the locking cooker valves installed.</p> <p>We have promoted this service at events with local authorities and health care professionals across our network. They particularly liked the idea of safeguarding their residents without having to take away their independence.</p>

Criteria

	<p>To date we have installed 217 free of charge Locking Cooker Valves across Wales and southwest England.</p> <p>We have verified stakeholder support for the continuation of this low-cost service through our regional stakeholder forums.</p>
<p>Outcomes, associated actions, and success criteria</p>	<p>WWU will fund this project at an estimated cost of £5,000 per annum for five years. We anticipate around 45 – 50 installations each year. The costs booked to this project will be our engineers time to fit the valve and the cost of the physical valve (less than £20).</p> <p>The outcome from each installation is improved safety in the use of the appliance through avoidance of gas leaks and fires.</p> <p>The person suffering from dementia is able to retain a level of independence being able to use the cooker / hob to cook and meal.</p> <p>The family member / carer sees benefits in terms of health of the person retaining some independence and peace of mind by being able to shut the valve and lock the appliance off when they are not at the property.</p>
<p>Project Partners and third parties involved</p>	<p>This project is delivered through the WWU Social Obligations team and WWU engineers.</p> <p>We publicise the scheme through our website, social media and events and may work with individuals or local authorities / health professionals in ongoing relationships in geographical areas</p>
<p>Potential for new learning</p>	<p>We will continue to review the demand for this service and investigate how we could link to smart devices to control the valve.</p>
<p>Scale of VCMA Project and SROI calculations</p>	<p>Initial 2-year project with an expected 45 -50 installations to be carried out each year in Wales and southwest England.</p> <p>Using our SROI models for other projects, we estimate that project will provide a positive SROI net value based upon:</p> <ul style="list-style-type: none"> • The avoidance of a resident being moved into long term care at a care home

	<ul style="list-style-type: none"> The likelihood that residents will feel in more control of their lives, leading to improved mental wellbeing. <p>It's expected that for every £ spent we will create a net £14 in Social Value.</p>  <p>LCV%20Model.xlsm</p>
VCMA Project start and end date	01 April 2021 – 30 March 2026
Geographical area	This project will include gas consumers in Wales and southwest England.

WWU sign off

Nigel Winnan	Customer and Social Obligations Strategy Manager	12 th October 2021
David Robinson	Director of Business Services	12 th October 2021

Uploaded to Ofgem portal:

Uploaded to WWU website: